

HP100AB
Shown

HP75/100 (O-ring Design)

Pump Volute / Impeller Materials

HP75 (SC) – 316SS / CPVC

HP75 (SS) – 316SS / 316SS

HP75 (AB) – Bronze / Bronze

HP100 (SC) – 316SS / CPVC

HP100 (SS) – 316SS / 316SS

HP100 (AB) – Bronze / Bronze

Features

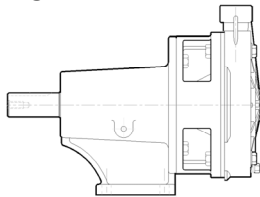
- **Versatility** – Multiple O-ring materials
- **Configuration** – Compact, close coupled design
- **Motor shaft** – Threaded

Applications

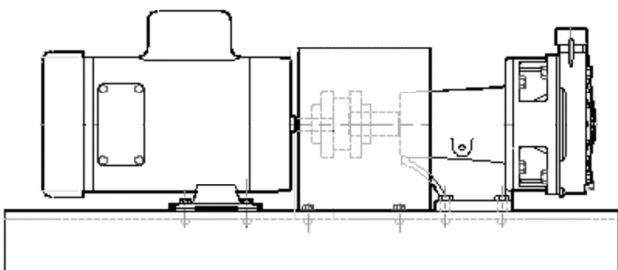
- Chillers / Liquid Cooling
- Chemical Processing
- Booster Pumps
- Water Purification
- Circulation / Filtration
- Air Conditioning / Heat Recovery

Optional Configurations

- **Power Frame Mounting:**



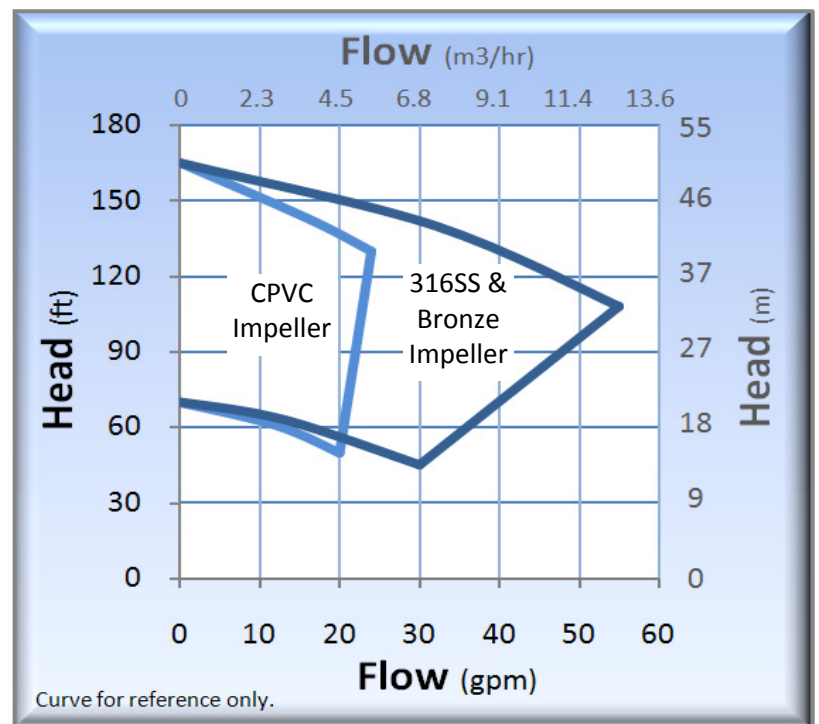
- **Long-Coupled Mounting:**



Standard Specifications

- HP75 Discharge 3/4" FNPT, Suction 3/4" FNPT
- HP100 Discharge 1" MNPT, Suction 1" FNPT
- Maximum Impeller Diameter: 6.00"
- Motor: NEMA 56J Footless (Multiple enclosures available)
- Mechanical Seal:
 - Single, 5/8" Type 21 Viton, Carbon vs. Ceramic
 - Note: Additional seal options available*
- O-ring Material: Viton (Buna, EPR, Neoprene, & Teflon optional)

Performance Curve – 60 Hz



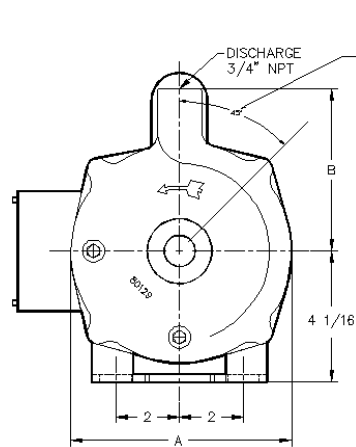
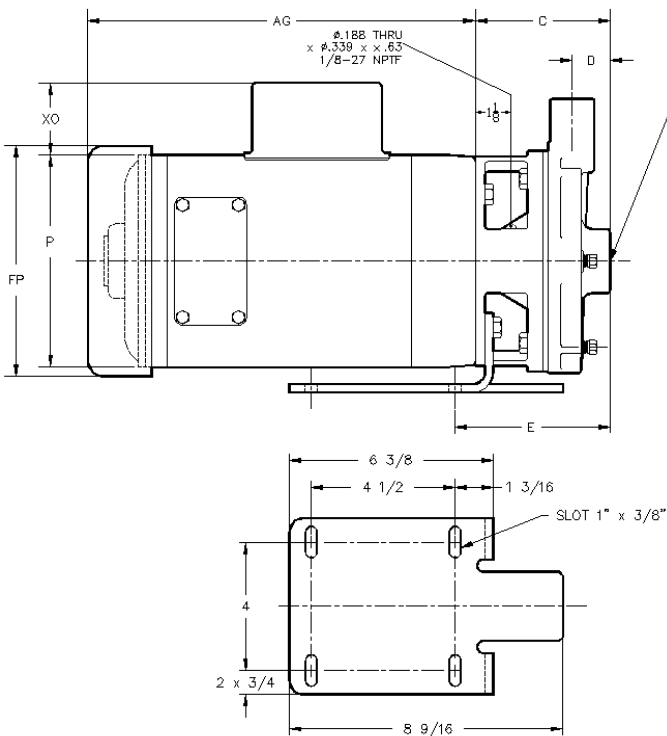
HP (O-ring Design)

Technical Information	
Max Flow (CPVC Impeller)	20 GPM (4.5 m3/hr)
Max Flow (Metallic Impeller)	55 GPM (12.5 m3/hr)
Max Head	165 feet (50 m)
Min. Flow	0.5 GPM (0.12 m3/hr)
Max Solid Size	0.030" (0.76 mm)
Max (Type 2106 Seal)	150 PSI (10.3 bar)
Working (Type 21 Seal)	150 PSI (10.3 bar)
Pressure (Type 9 Seal)	350 PSI (24.1 bar)
Max Temp. (SC)	140°F (60°C)*
Max Temp. (SS, AB)	300°F (149°C)*

Materials of Construction			
HP	SC	SS	AB
Volute	316SS	316SS	Bronze
Impeller	CPVC	316SS	Bronze
Bracket	316SS	316SS	Bronze
Fasteners	18-8 Stainless Steel		
O-ring	Viton (Buna, EPR, Neoprene, & Teflon optional)		

* Temperature limits are based on standard seal and O-ring materials, and will vary according to the liquid being pumped.

Dimensions (HP75)



ORIGINAL LOCATION ANGLE OF FLUSH PORT.

NOTE: BRACKET MAY BE ROTATED BY 90 DEG. INCREMENTS TO REPOSITION FLUSH ANGLE.

HP	RPM	FRM	MOTOR END DIMENSIONS			
			AG	FP	P	XO
1/3	3600	56J	8 3/4	7 3/16	6 5/8	2 1/4
1/2	3600	56J	8 3/4	7 3/16	6 5/8	2 1/4
3/4	3600	56J	9 1/8	7 3/16	6 5/8	2 1/4
1	3600	56J	9 3/4	7 3/16	6 5/8	2 1/4
1 1/2	3600	56J	10 1/4	7 3/16	6 5/8	2 1/4
2	3600	56J	10 3/4	7 3/16	6 5/8	2 1/4

NOTE:
MOTOR DIMENSIONS WILL VARY BY MODEL AND MAKE.
DIMENSIONS ARE TO BE USED FOR REFERENCE ONLY.

MATERIAL	MODEL	A	B	C	D	E
BRONZE	HP75BN / HP75BS	6 15/16	5 1/16	4 1/8	1 1/8	4 7/8
KANIGEN	HP75KN / HP75KS	6 15/16	5 1/16	4 1/8	1 1/8	4 7/8
CPVC	HP75CN / HP75CS	7 9/16	4 11/16	3 5/16	1 3/16	4 1/2
SS	HP75SS/HP75SC	6 15/16	5 1/4	4 1/8	1 1/8	4 7/8



Contact factory for special pump configurations,
same day, and next day delivery options.

21775 Eighth Street East
Sonoma, CA 95476-0329
MAIN (707) 938-8441
TOLL FREE (800) 345-7867
FAX (707) 938-0764
E-mail: sales@pricepump.com
Website: www.pricepump.com



Rev. Date: May 2009